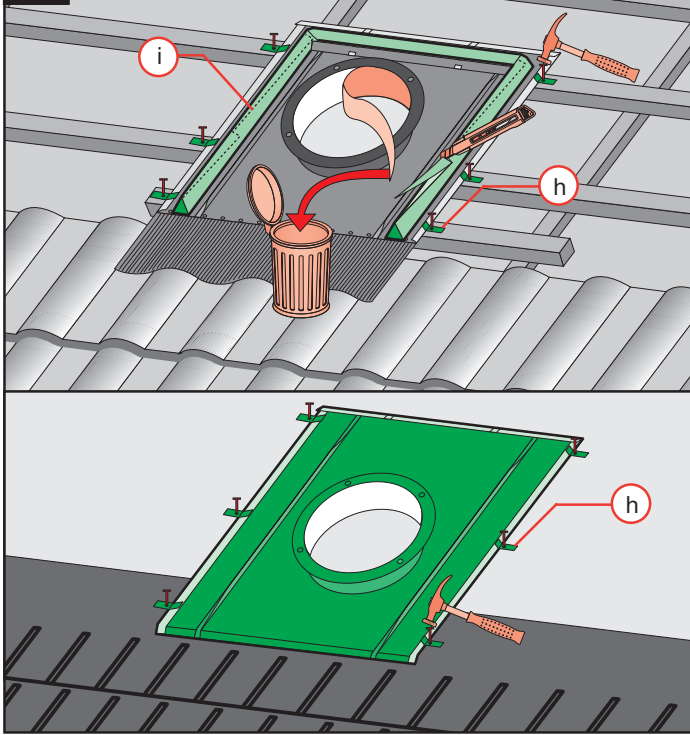
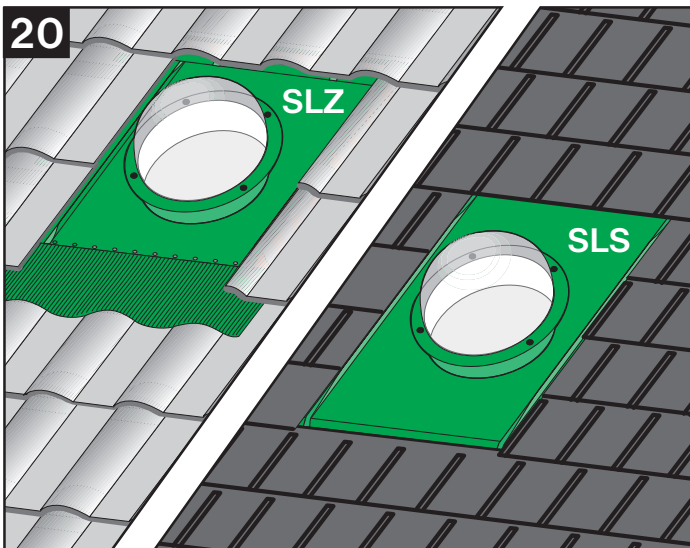
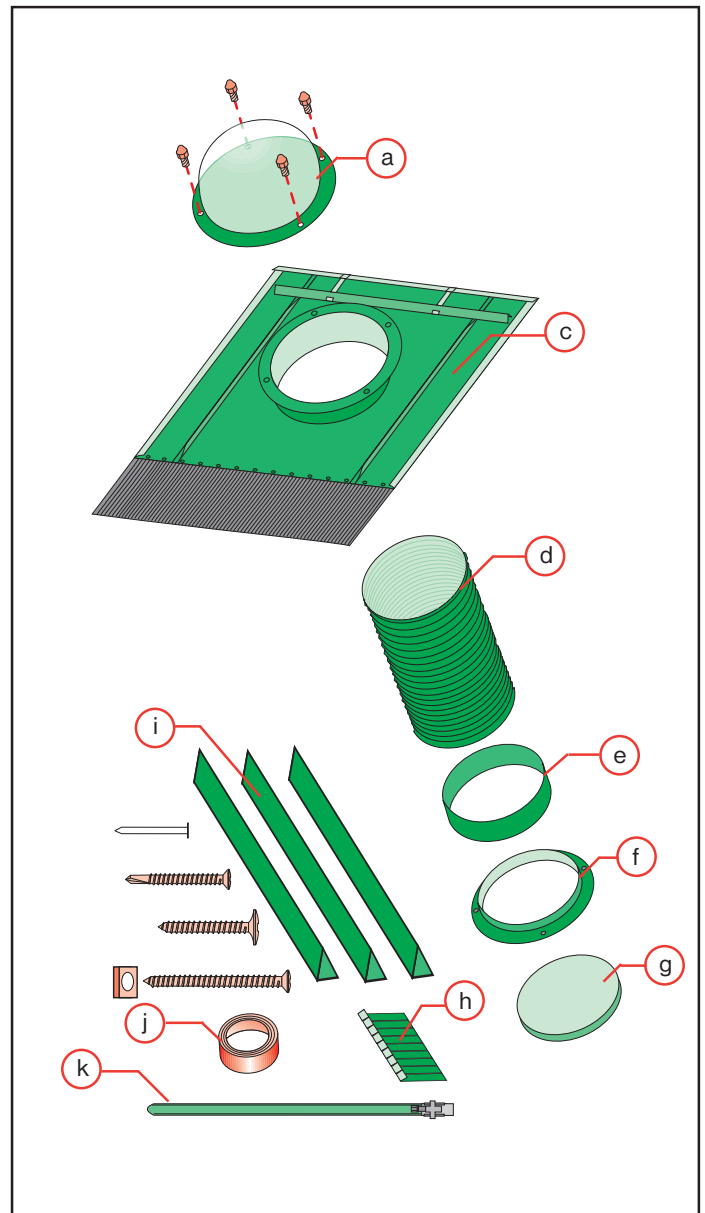
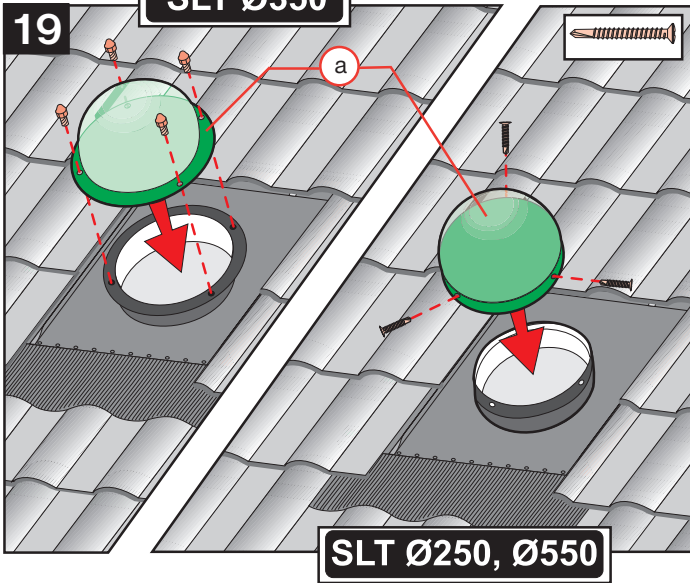
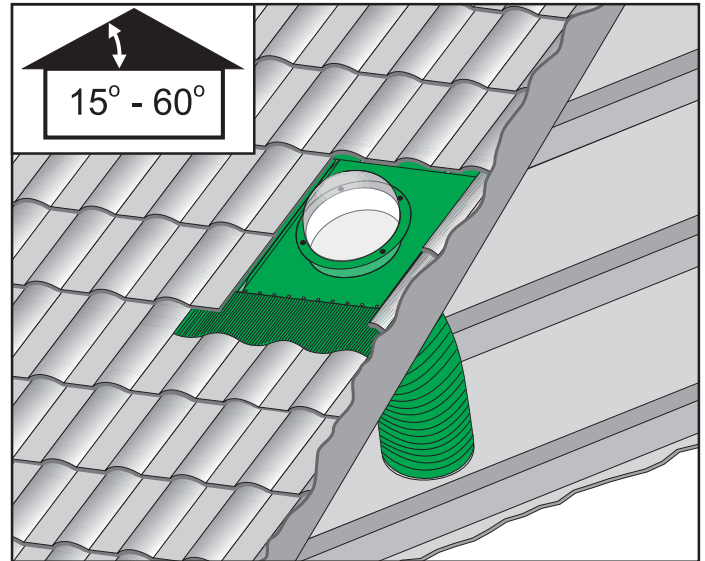
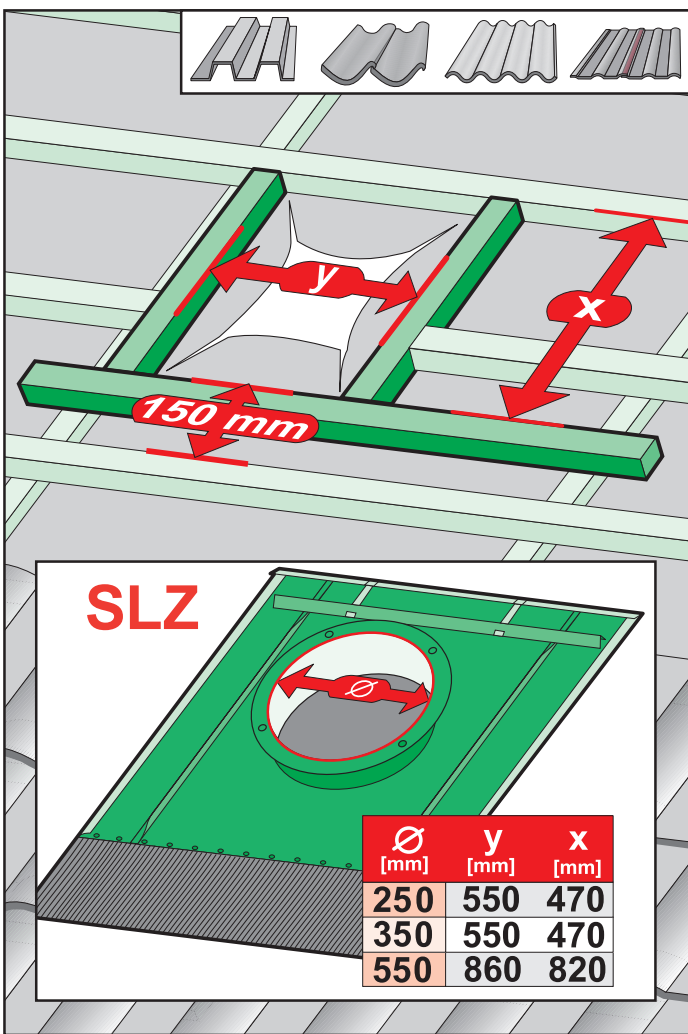
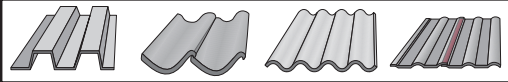


18



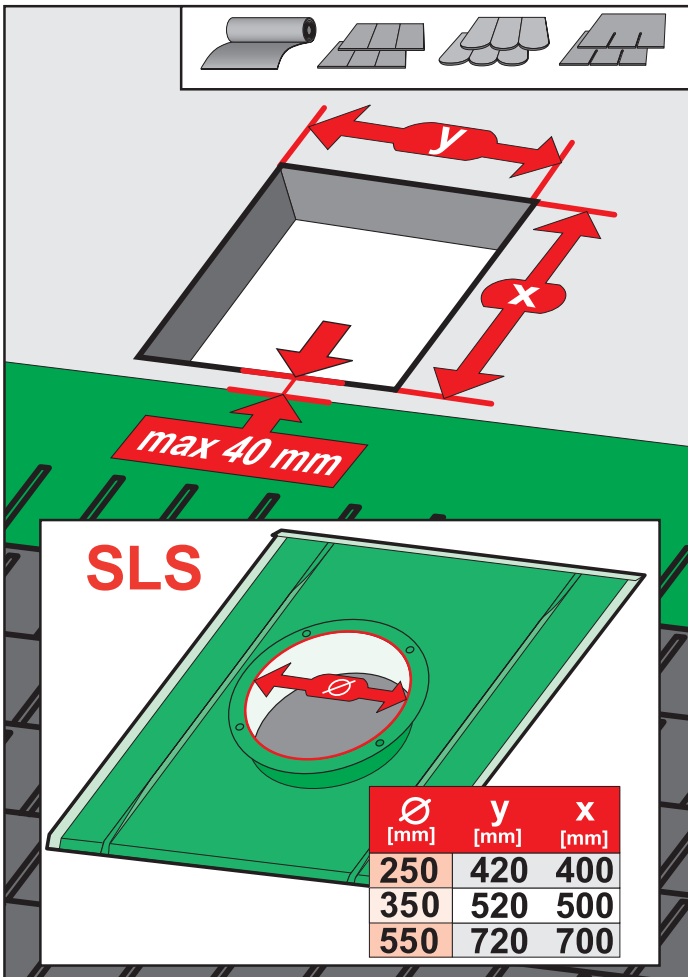
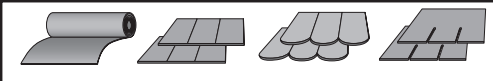
SLT





SLZ

Ø [mm]	y [mm]	x [mm]
250	550	470
350	550	470
550	860	820



SLS

Ø [mm]	y [mm]	x [mm]
250	420	400
350	520	500
550	720	700

