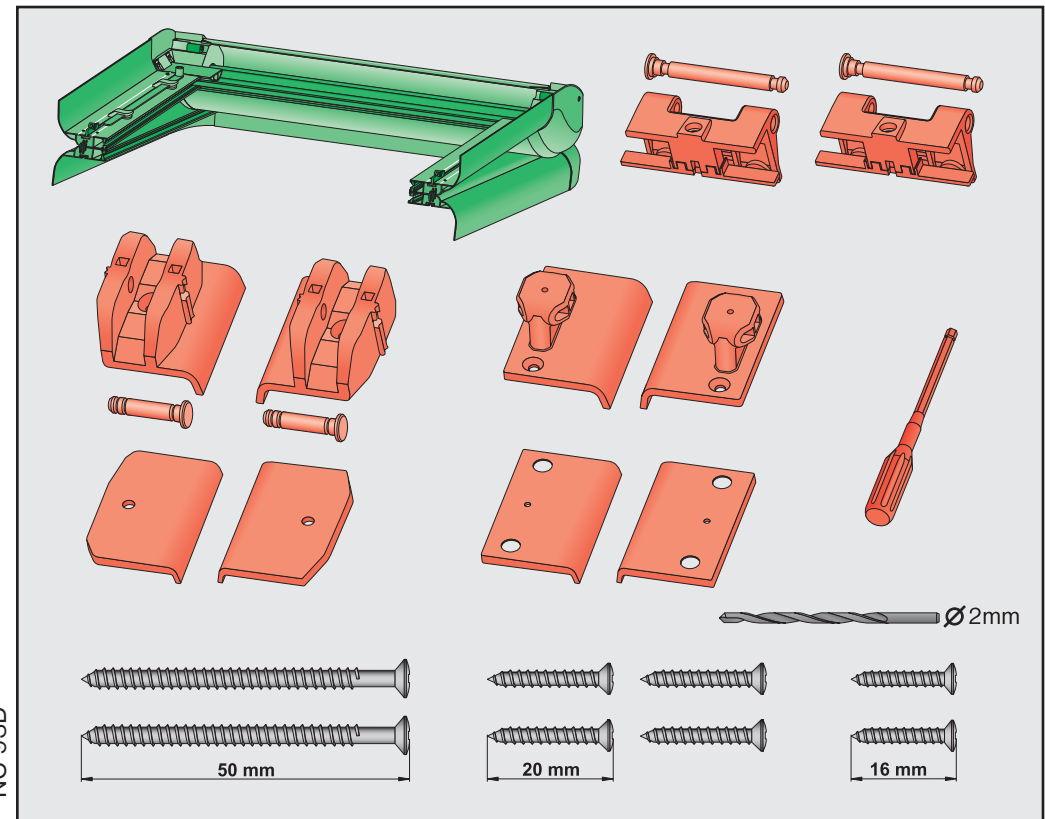
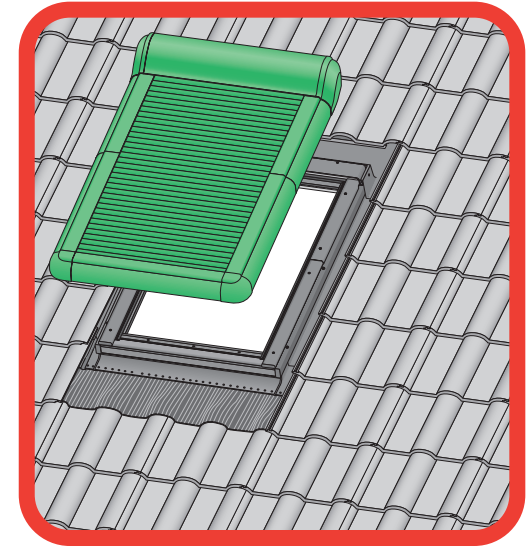
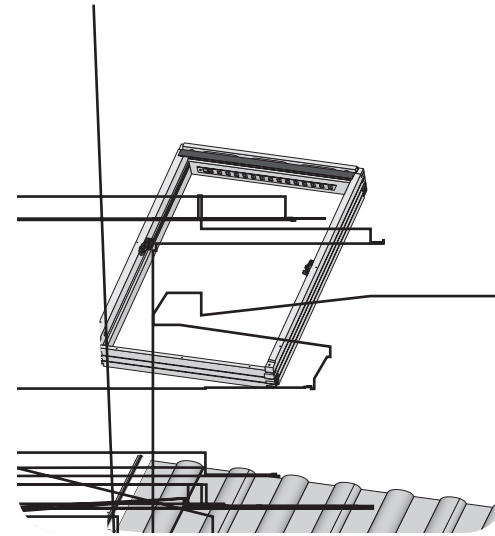
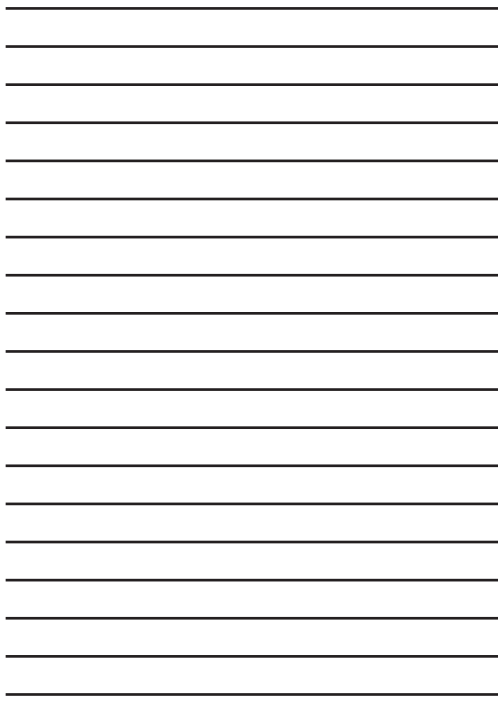
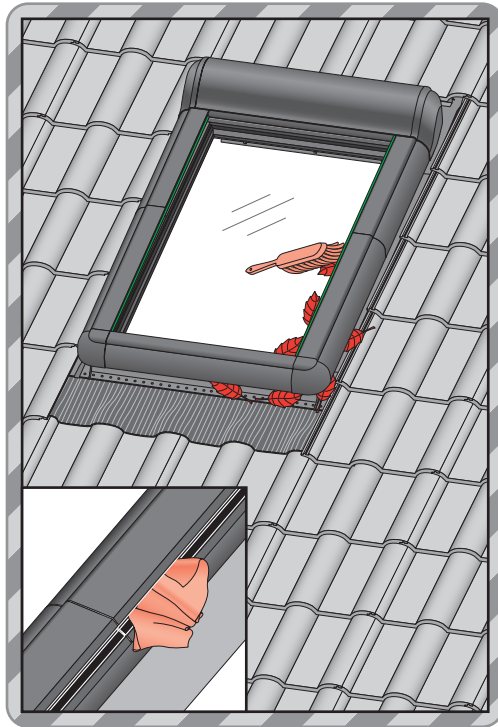
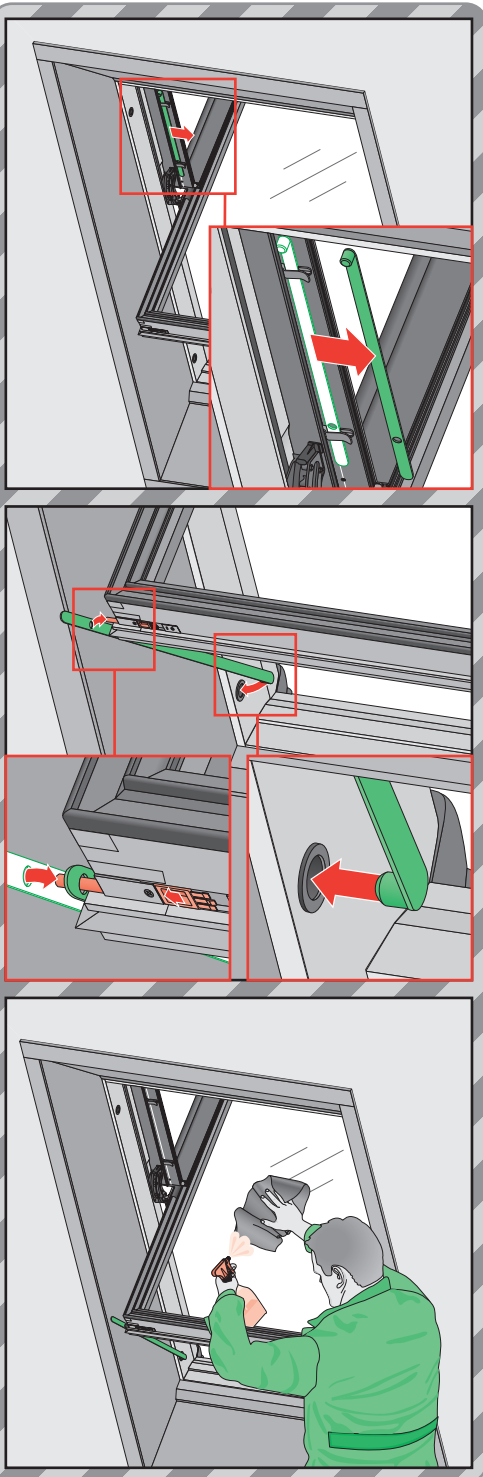
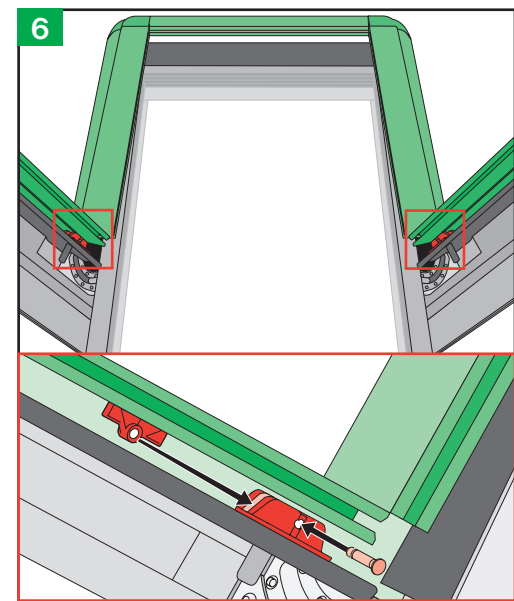
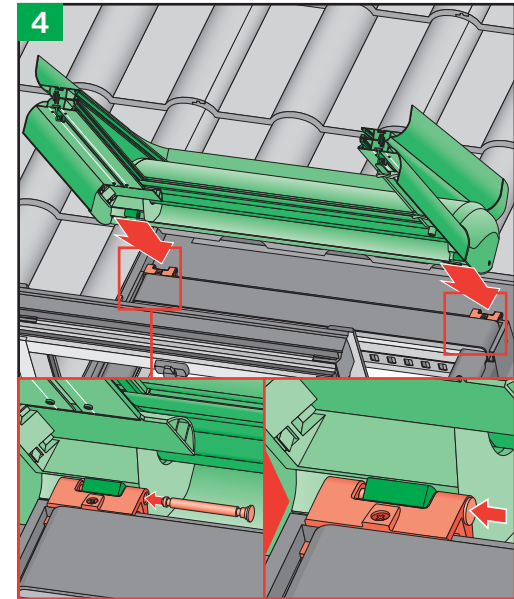
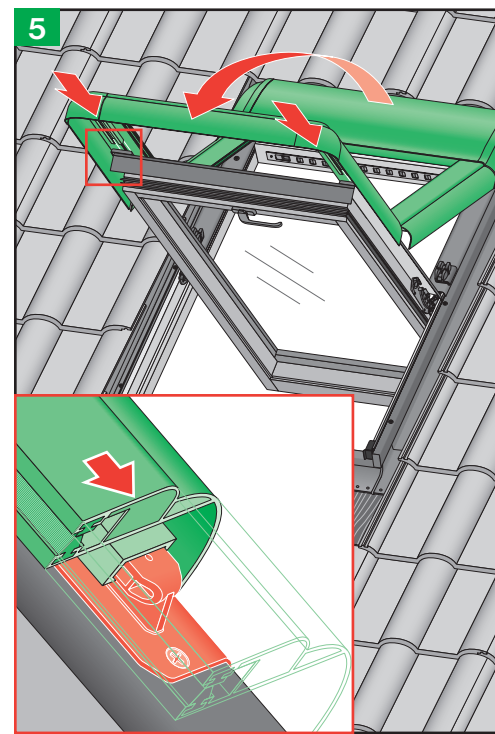
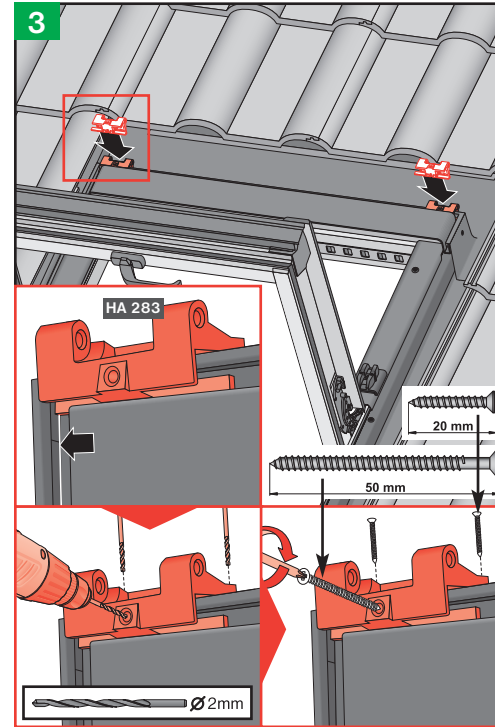
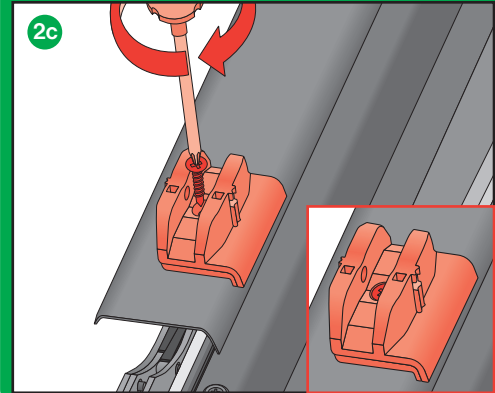
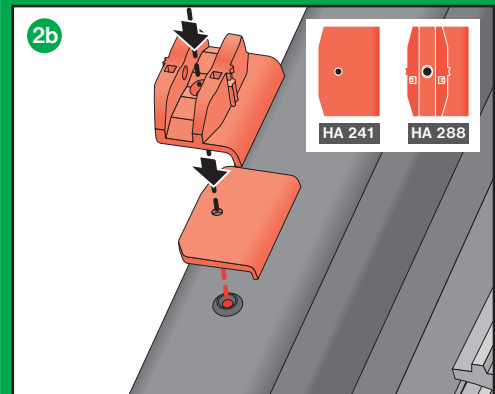
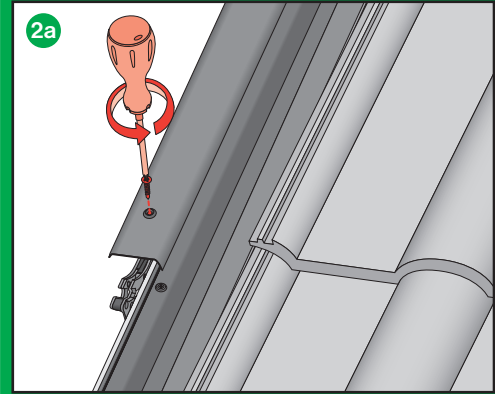
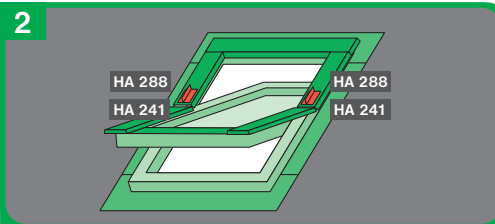
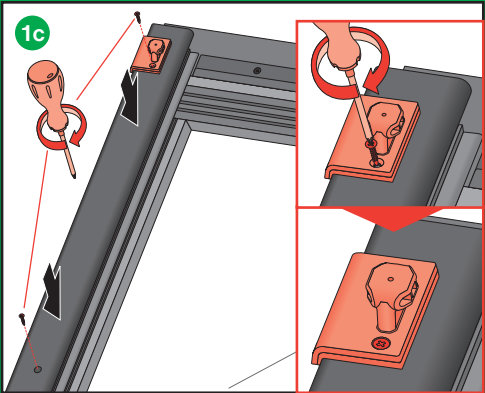
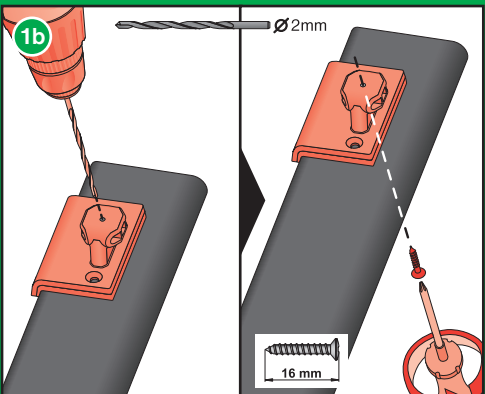
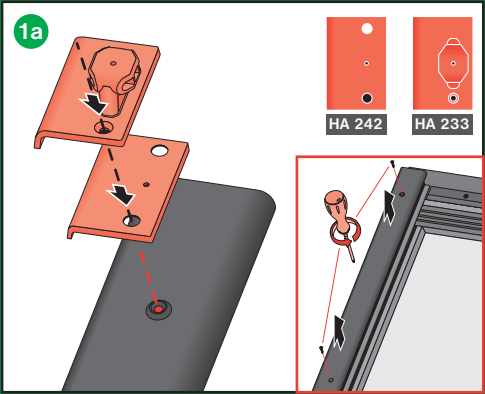
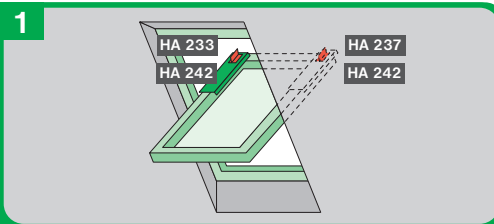
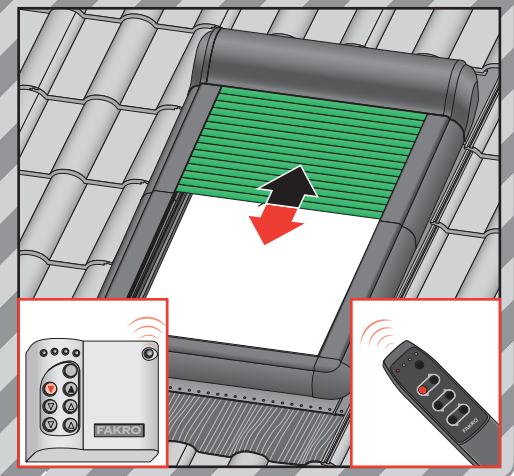
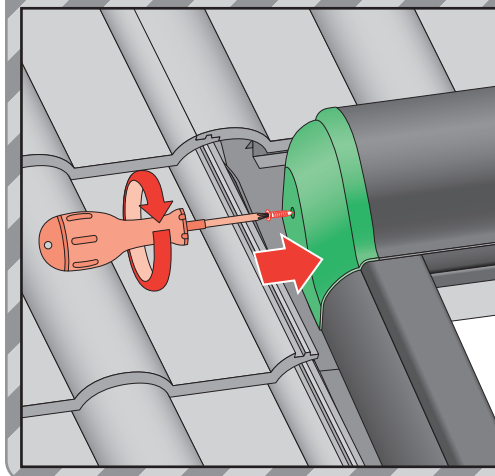
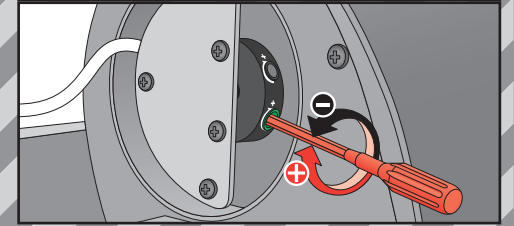
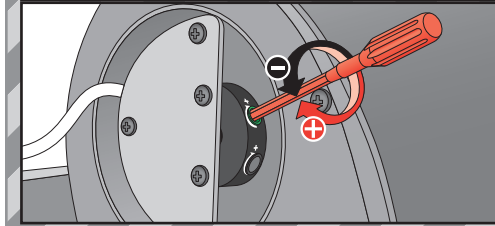
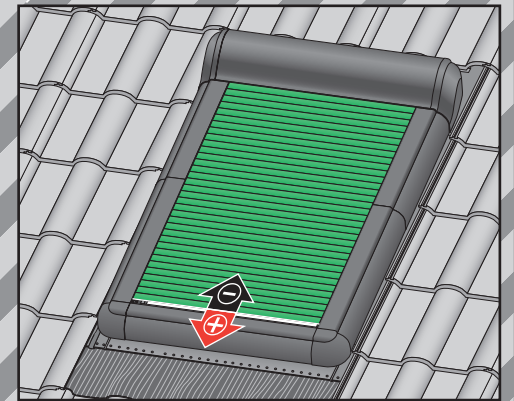
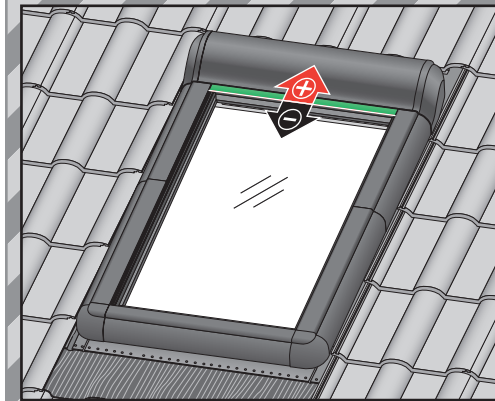
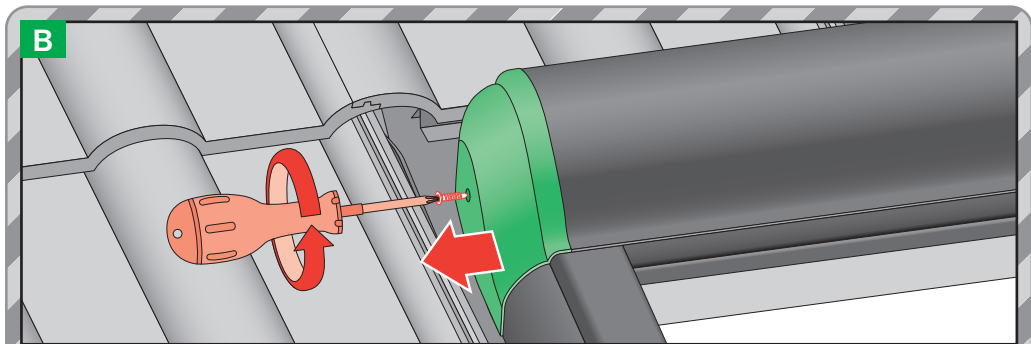
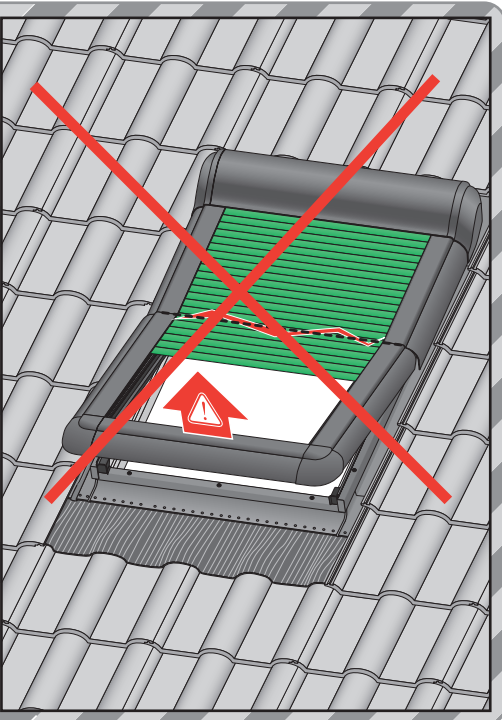
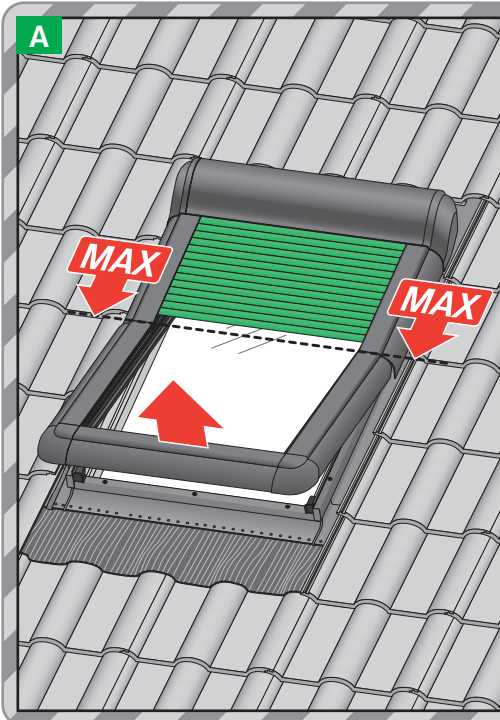
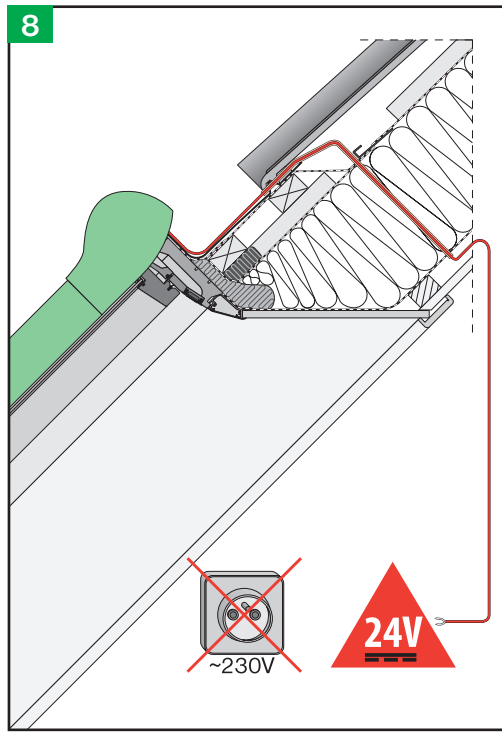
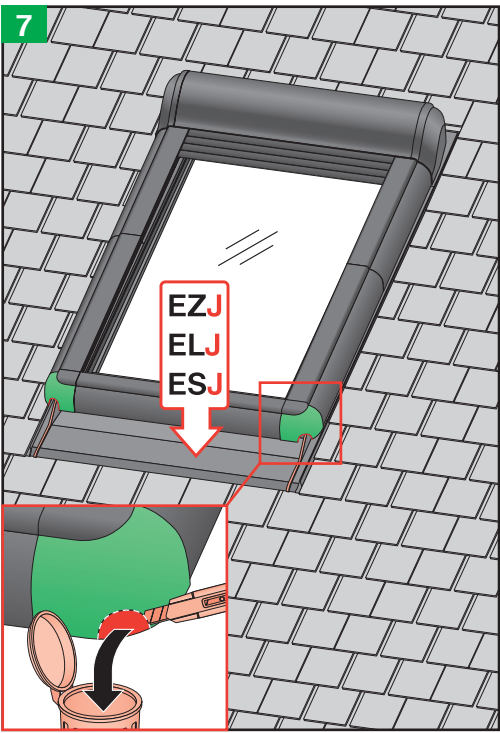


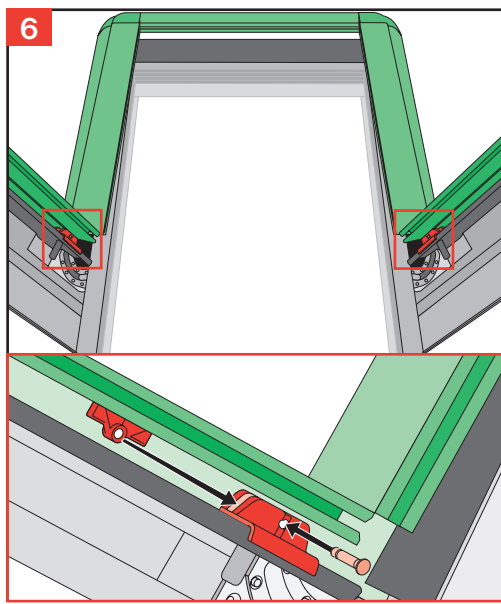
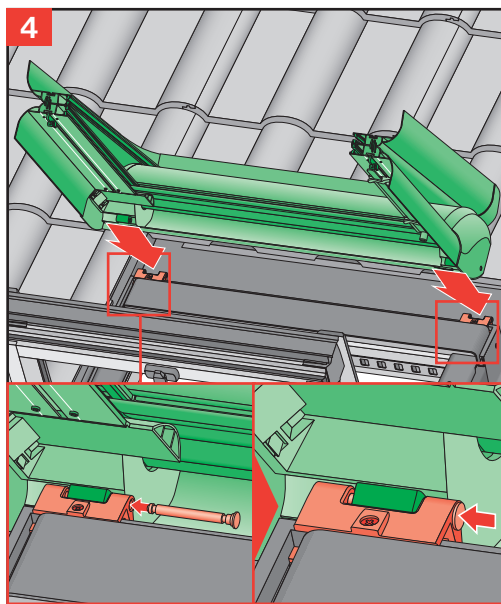
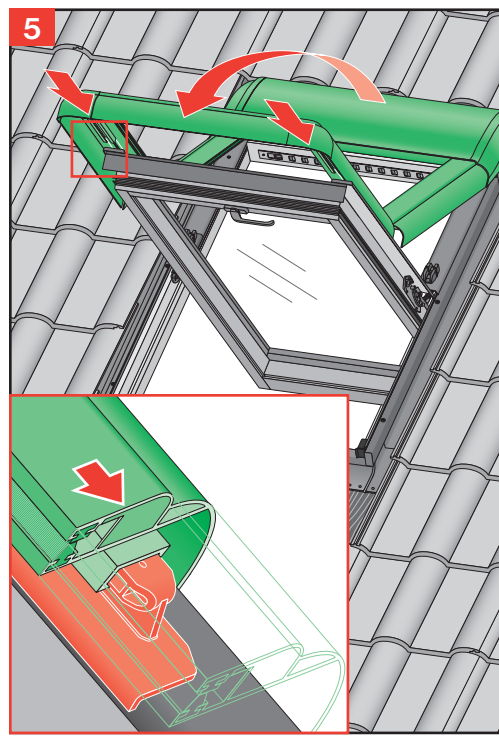
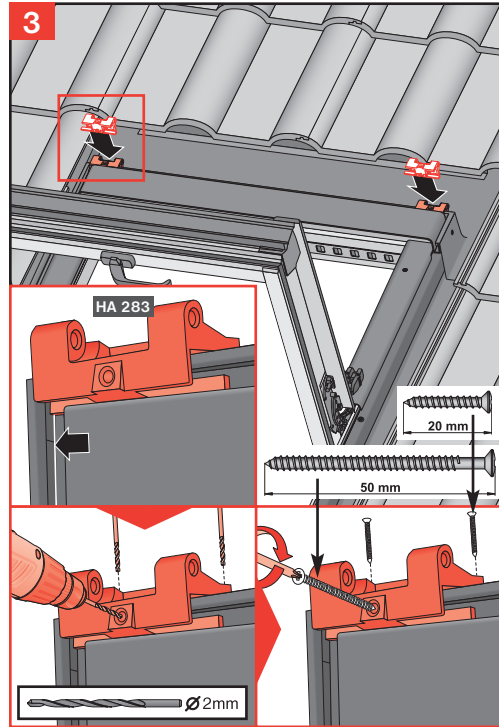
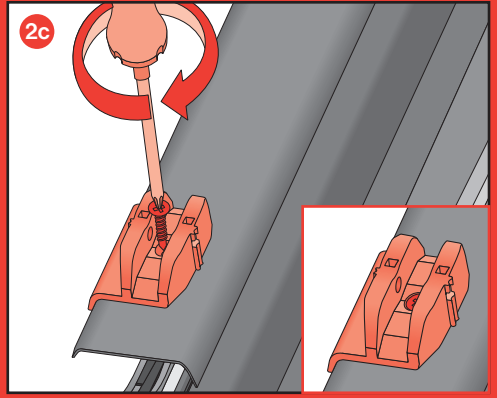
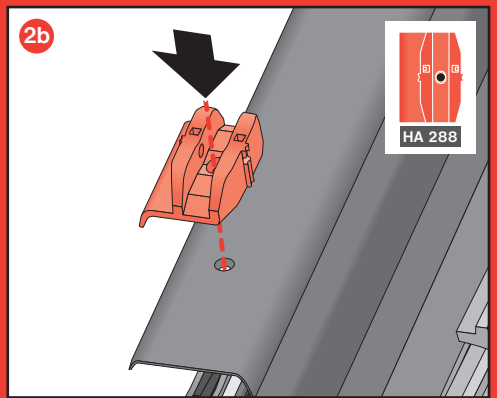
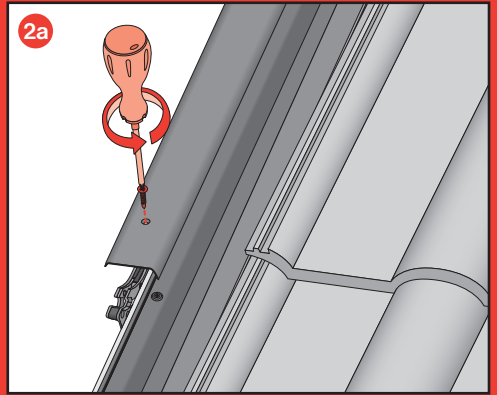
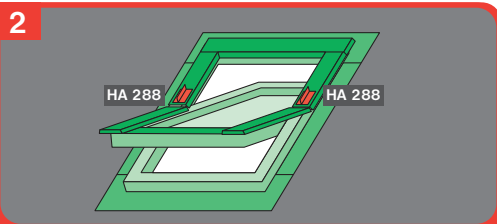
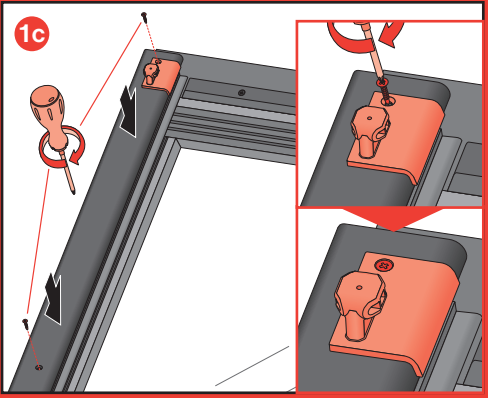
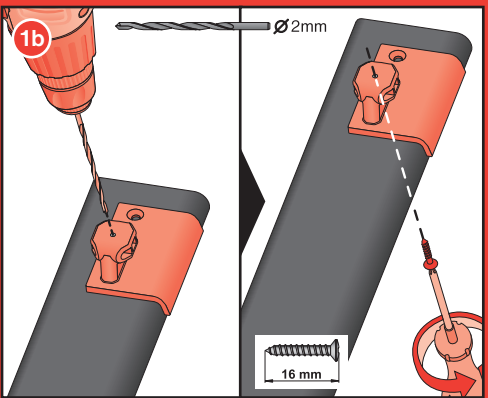
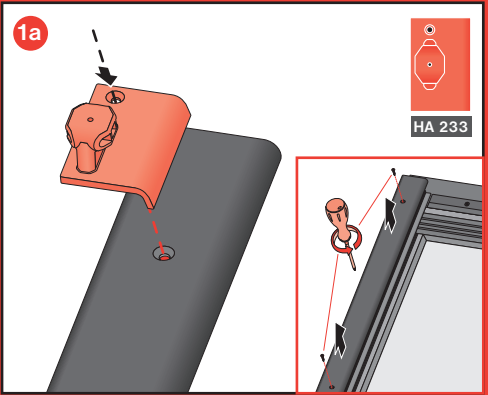
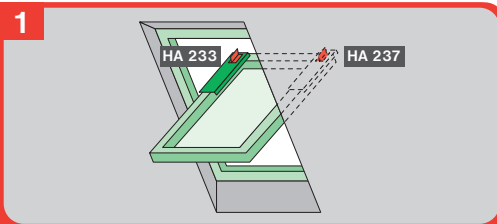
# ARZ-E

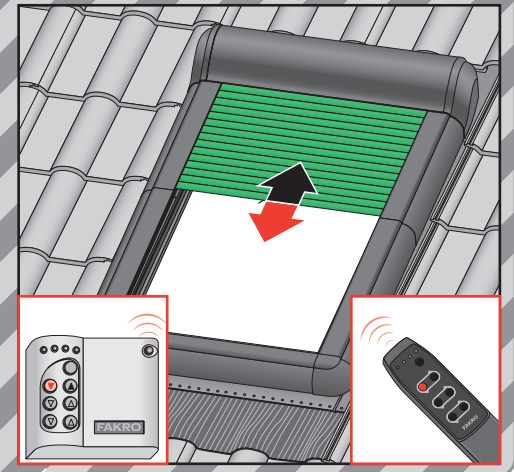
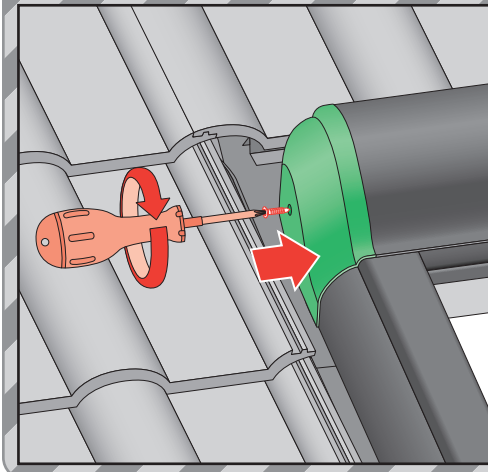
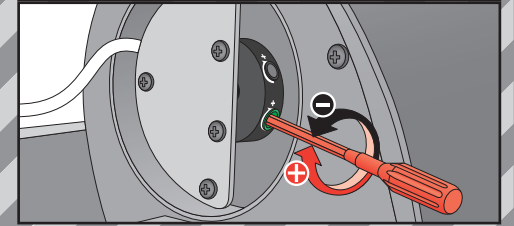
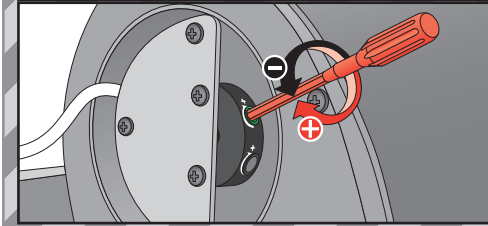
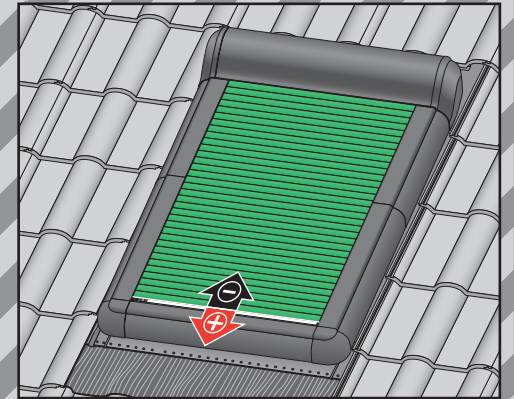
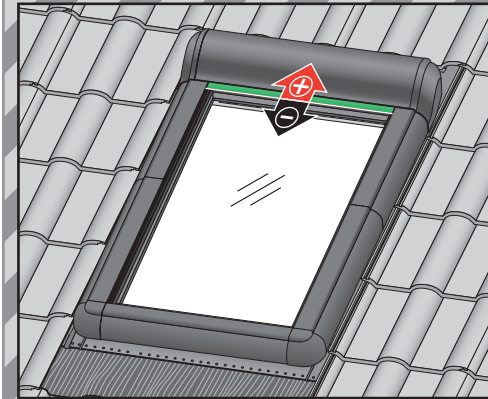
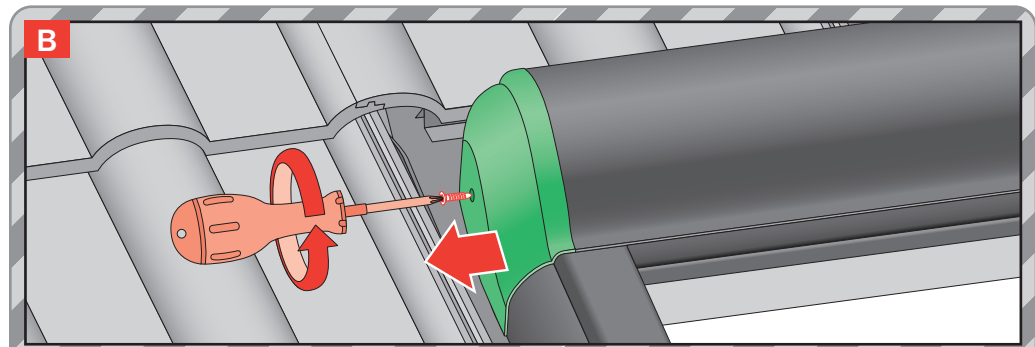
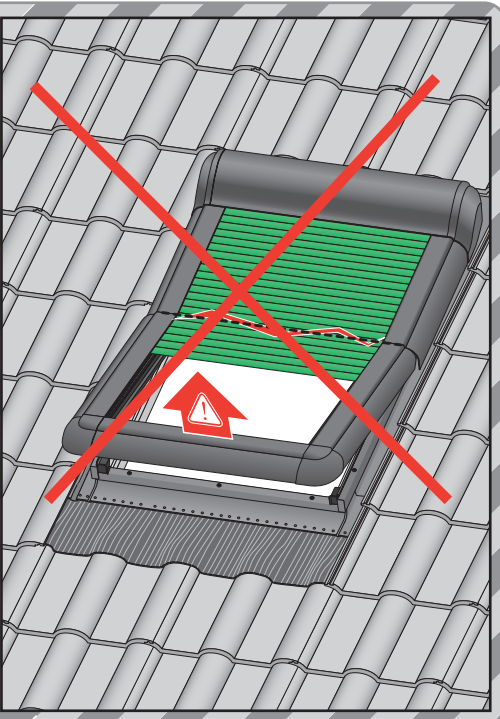
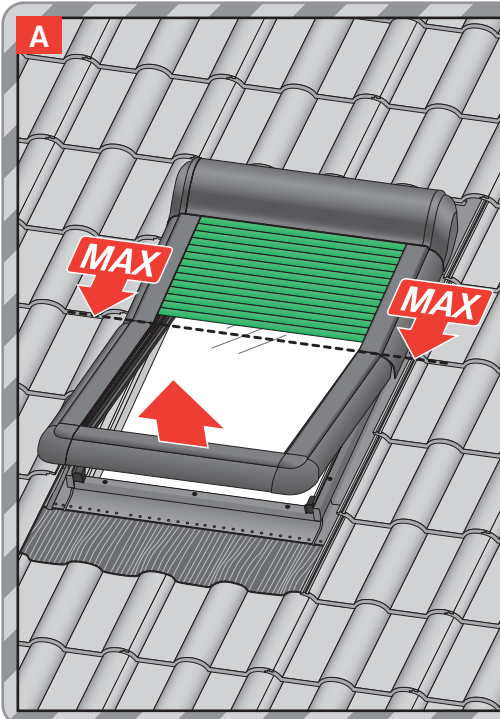
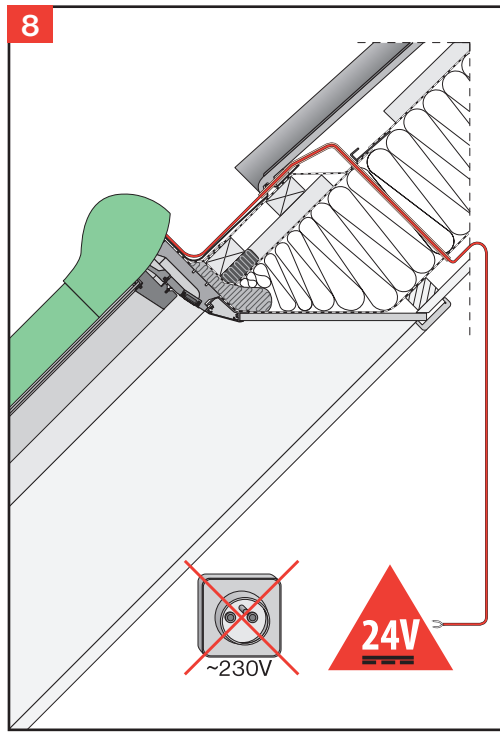
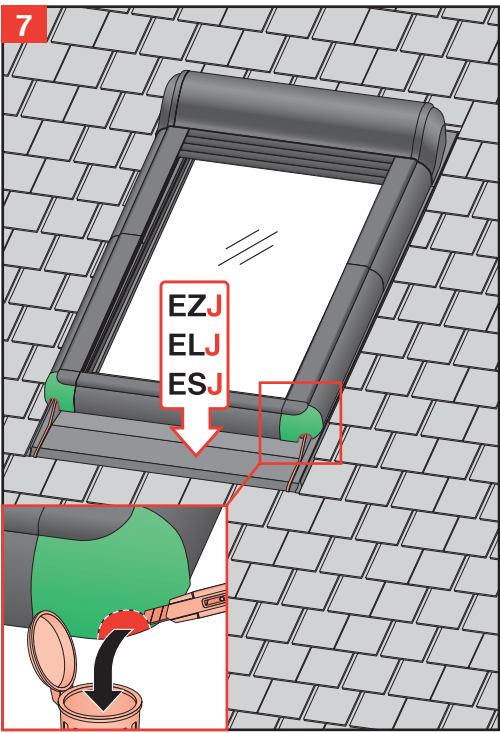


NC 93D



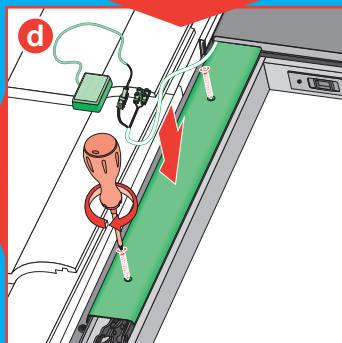
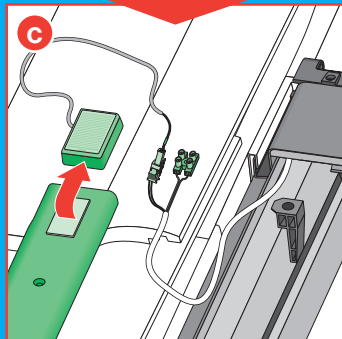
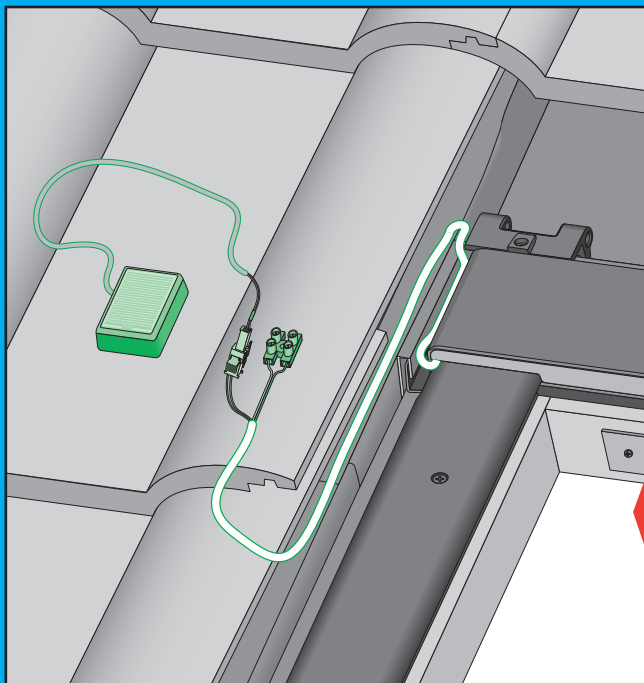
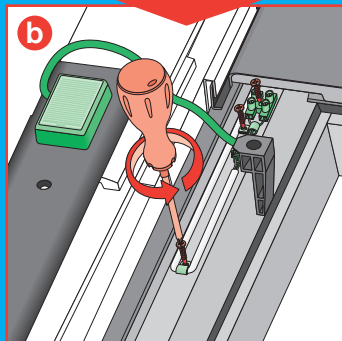
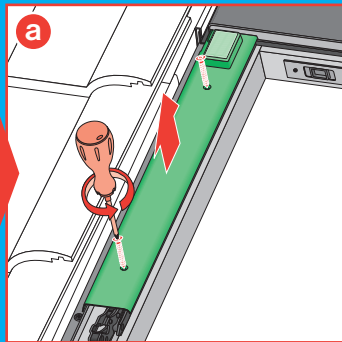
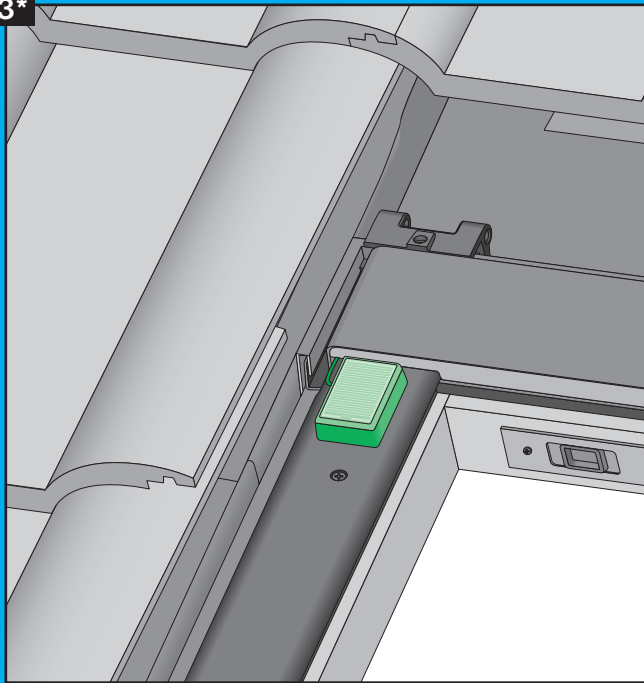






# FTP-V ELECTRO

3\*



# FTP-V ELECTRO

6\*

